

MODULINE POOLSIDE FENCING

Poolside Gate Assembly and Installation

For Installations that do not need to comply with Pool Fencing Regulations

Assembly

Poolside gates are generally 1.2m high and 0.95m wide. Other width gates can easily be made by increasing or decreasing the number of vertical bars and cutting the rail and pool channel lengths to suit.

Components -

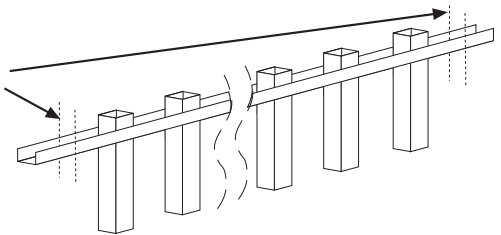
Gate stile	2
Rail	2 (cut from full rail)
19mm square bars	7
Pool channel	2 (cut from full channel)
50mm square black cap	2
Tek screws painted	24
Stainless steel butt hinges	1 pair
D-latch	1

PLEASE NOTE WHEN CUTTING COLORSTEEL USE A HACKSAW OR TINSNIPS. DO NOT USE AN ANGLE GRINDER OR ABRASIVE CUTOFF BLADES.

Step 1 - Cut rails to length using a hacksaw. Rails should be cut to the desired width of gate less 102mm. Ensure this cut is square and file burrs off. Wipe swarf off with a soft cloth.

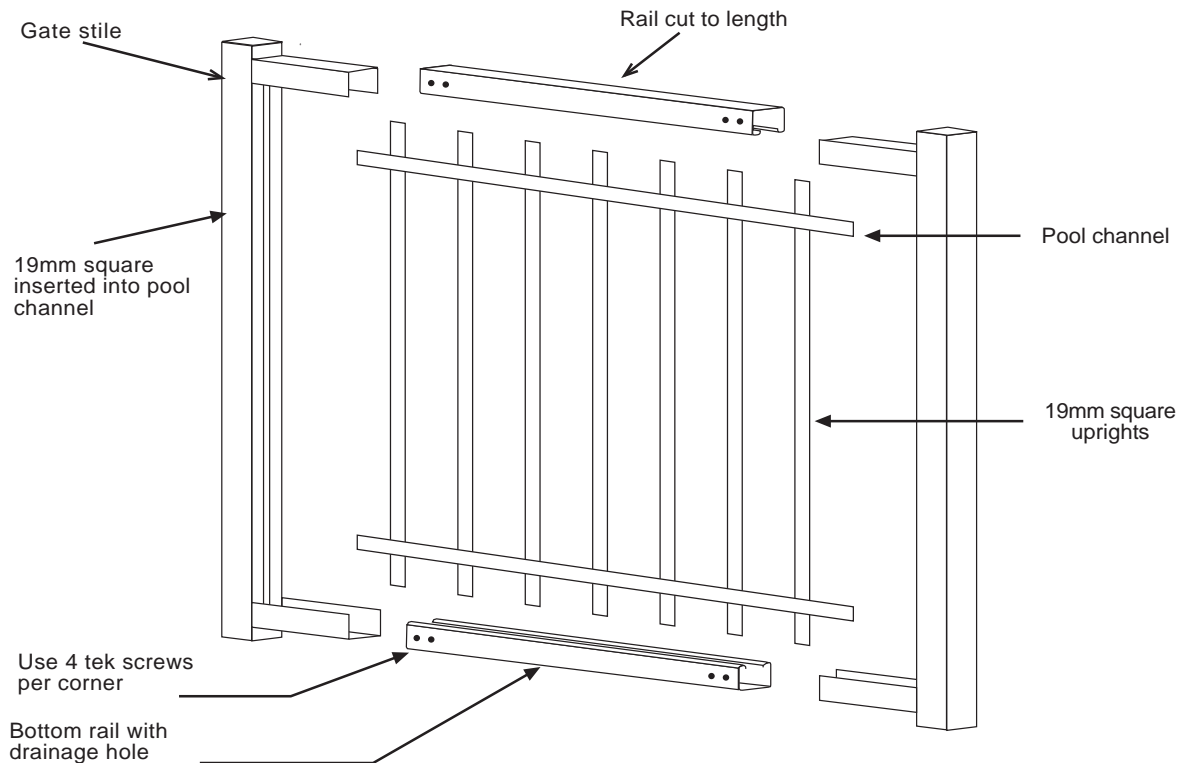
Step 2 - Cut the pool channel to the same length as the rails using a hacksaw or tinsnips. Ensure the amount trimmed is the same each end. Wipe swarf off with a soft cloth.

Cut off the same length at each end so pool channel length equals rail length



Step 3 - Assemble panel as per pool fence panel assembly sheet.

Step 4 - Assemble stiles, rails and panel then tek screw rail to gate stile channel.



METAL ROLLFORMING LIMITED

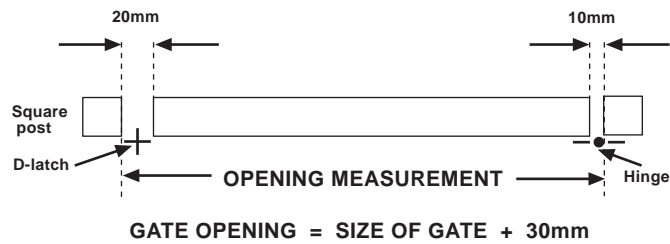
PO BOX 18-217, AUCKLAND 1743, PHONE (09)527-7897, FAX (09)527-7896

Poolside Gate Installation

For Installations that do not need to comply with Pool Fencing Regulations

PLEASE NOTE: This method of installation is not suitable for a gate that must comply with pool fencing regulations. Please see Sheet O if your gate must comply with pool fencing regulations.

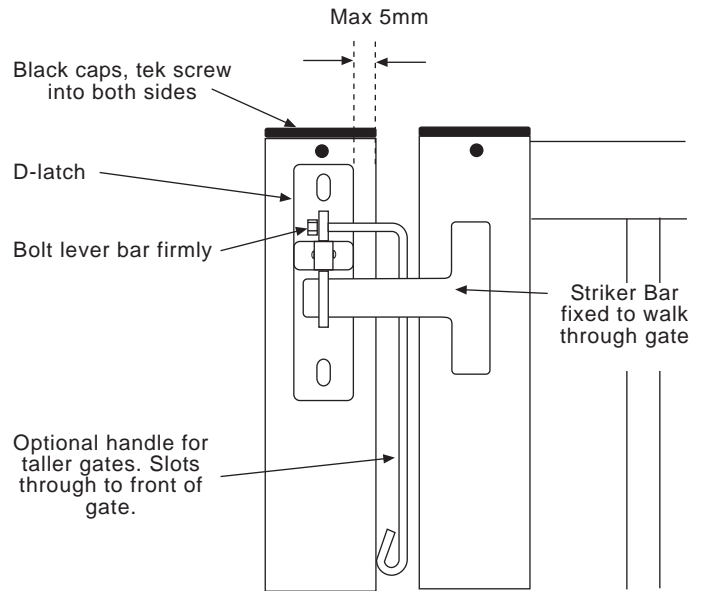
Step 1 - Concrete in gate posts while installing fencing. Be sure to set posts vertical using a good level. Make sure the opening gaps are correct. Measure both at the base and tops of the posts. Make sure the tops of posts are correct heights above the ground and level. Allow concrete around gate posts to harden at least over night before hanging the gates.



Step 2 - Fix the butt hinges to the gate first. Tek screw these on at approximately 100mm from the top and 100mm from the bottom. It is recommended that the hinges be face mounted. Use galvanised tek screws supplied.

Step 3 - Support the gate on blocks so that the gate top is level with the top of the post. Fix the hinge to the post using galvanised tek screws supplied.

Step 4 - Fix D-latch using galvanised tek screws, refer sketch.



METAL ROLLFORMING LIMITED

PO BOX 18-217, AUCKLAND 1743, PHONE (09)527-7897, FAX (09)527-7896